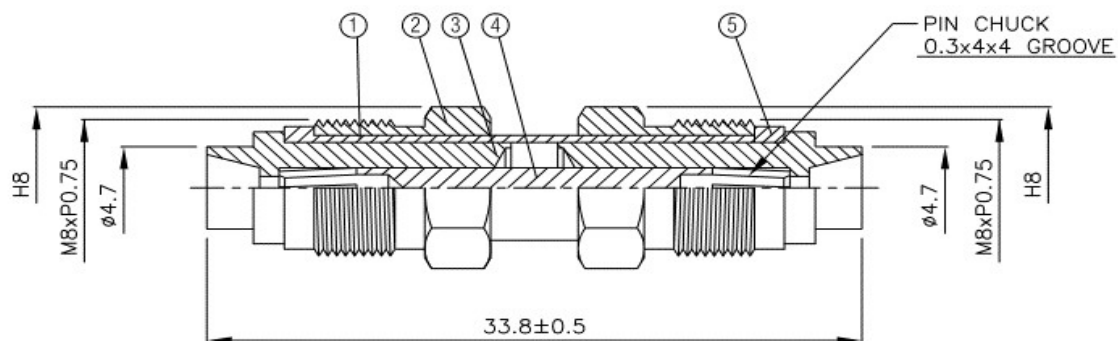
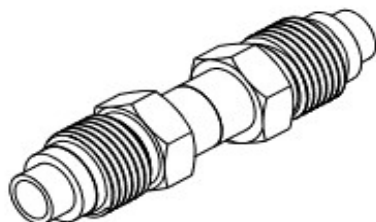


# NI - 112 FME Verbinder female



NO	DESCRIPTION	MATERIAL	Q'TY	FINISH
1	BODY	BRASS	1	NICKEL
2	NUT	BRASS	2	NICKEL
3	INSULATION	DELRIN	2	DELRIN
4	PIN	BRASS	1	GOLD
5	WASHER	BRASS	1	NICKEL